

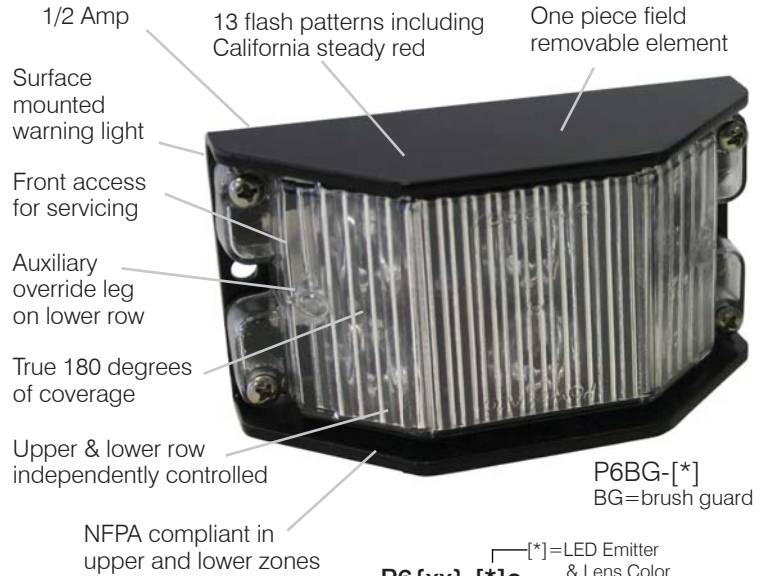
# PowerArc P6 (Pulsing) Surface Mounted Perimeter Light

The P6 is a little light with a big attitude! Following the success of the P14 with its unique 45° angle mounted LEDs, the P6 goes one step further with the introduction of patent pending flexible optic technology. The P6 generates a true 180 (degree) of protection signal out of a fixed LED light head, and the off angle performance is as bright as the head on signal. The P6 has unlimited application capabilities with independent dual row and override function and is NFPA compliant in both upper and lower zones. "This is one mighty bright little light!"

*Innovative patent pending Flexible Optic Technology that provides a true 180° coverage.*



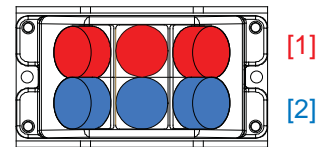
P6NT-[\*]  
NT=no trim



**P6{xx}-[\*]c**

- [\*]=LED Emitter & Lens Color
- BG= Brush Guard
- NT= No Trim
- SG= Stainless Guard
- "C" for clear lens

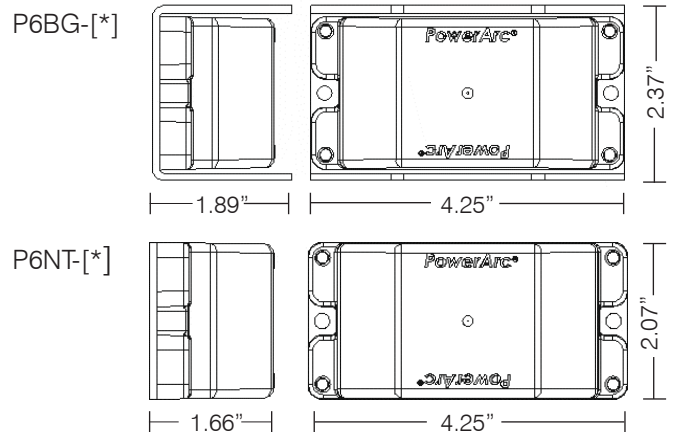
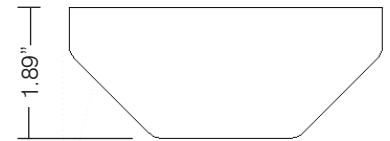
**R B W Y G**



Dual color P6BG-[1][2]



Plug and play internal element for ease of servicing



Model	Product Description [*] Emitter and lens colors (R,B,W,Y,G)
P6NT-[*]	Pulsing LED surface mounted light - mounting plate the size of the lens
P6BG-[*]	Pulsing LED surface mounted light - with a powder coated black aluminum brush guard
P6SG-[*]	Pulsing LED surface mounted light - with a stainless steel brush guard
P6 Lens	(FPA-5408 Red) (FPA-5409 Blue) (FPA-5410 Clear) (FPA-5411 Yellow) (FPA-5412 Green)