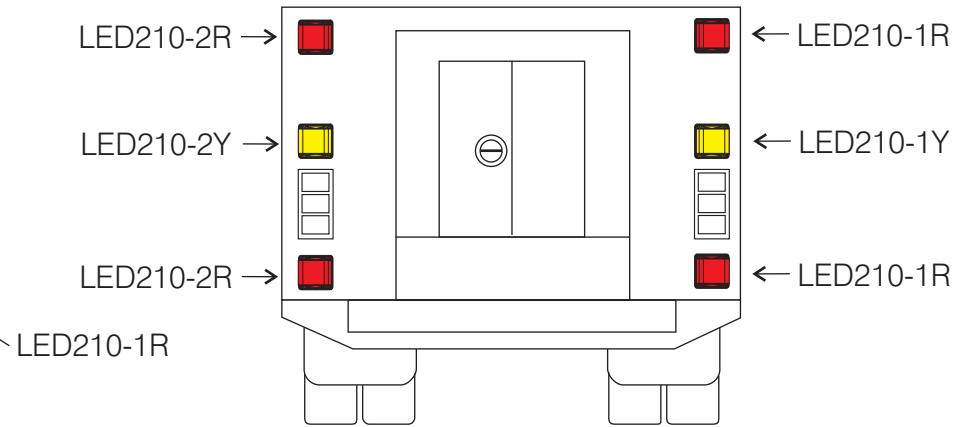
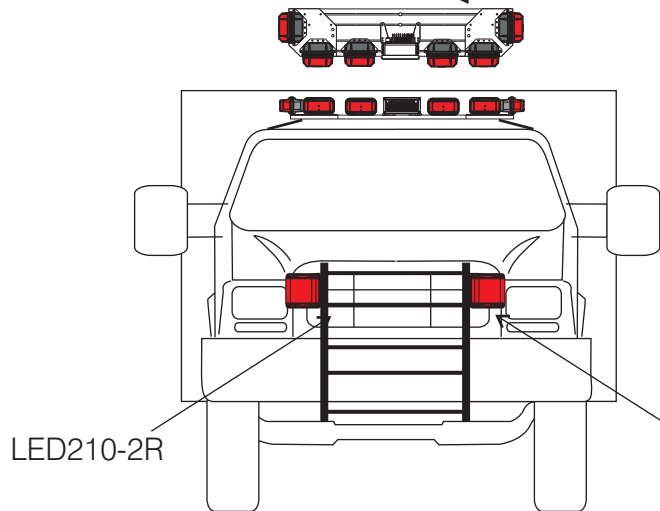
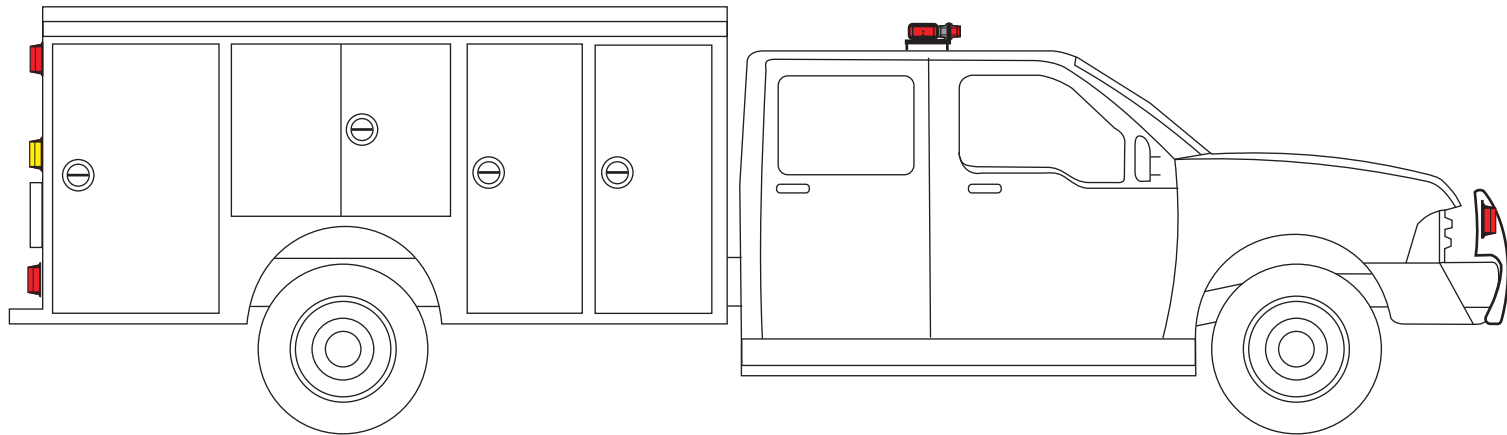


VM5004-2PQ08
with VBM2 mounting kit



NOTE: On Ford grilles it is best to use alternate mounting for the LED210 lights. Example a brush guard or bumper bracket.



Small Vehicle	011411
---------------	--------

PowerArc
www.powerarc.net